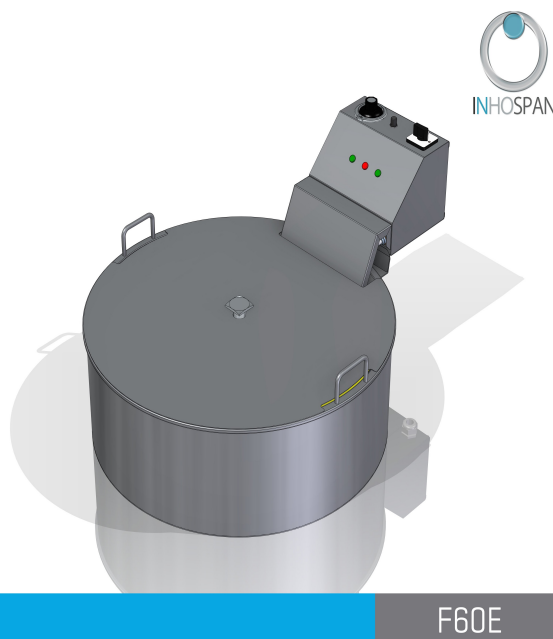


# DATA SHEET

## ELECTRIC COUNTERTOP FRYER FE60-C

Automatic temperature control, designed for light and delicate products that should not come into contact during frying.



### TECHNICAL SPECIFICATIONS:

- Suitable for both indoor and outdoor use.
- Body made of AISI304 18/10 stainless steel.
- Removable lid and electric heater made of AISI304 18/10 stainless steel integrated into the body.
- Safety thermostat set at 230°C.
- Built in accordance with CE regulations.
- Recommended maximum operating temperature of 200°C.
- Oil level indicator marked with minimum and maximum levels.
- Voltage: 230 V II or 400 V II, depending on the model.

#### OPCIONAL:

- Power of 5000W, 10000W, or 15000W depending on the model.

#### MODELO: FE60-C

**DIMENSIONES:** LARGO/FONDO 620mm. / ANCHO 850mm. / ALTO 400 mm.

**POTENCIA:** 15.000W.

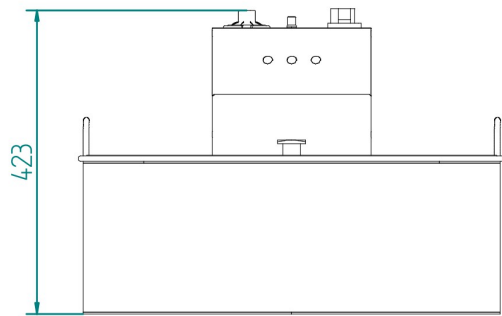
**DIAMETRO SUPERIOR:** Ø600mm.

**ALTURA RECIPIENTE:** 160mm.

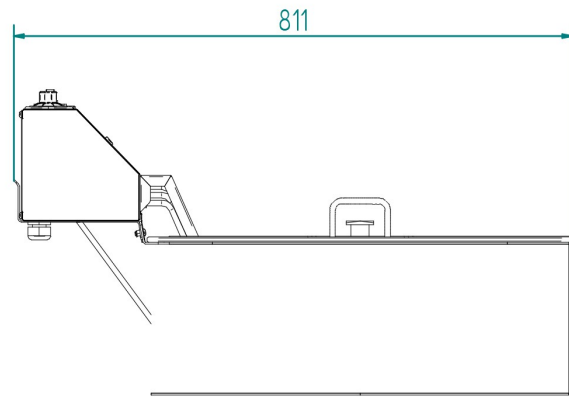
**CAPACIDAD:** 18 L.

**VOLTAJE:** 380V

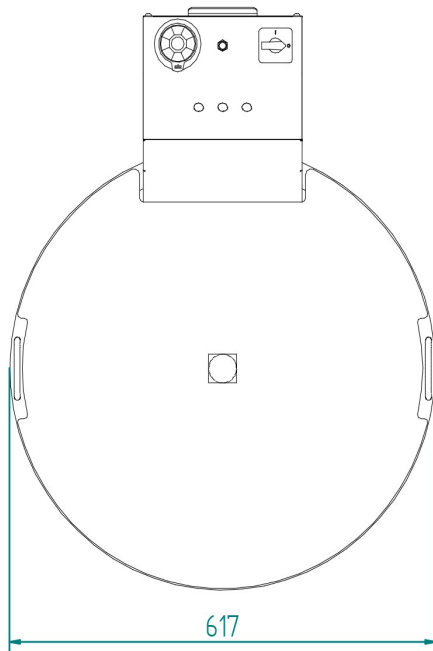
# DIMENSIONS



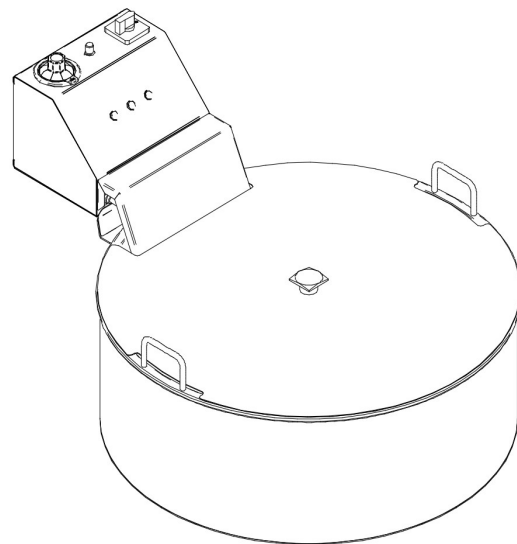
VISTA FRONTAL



VISTA LATERAL



VISTA PLANTA



VISTA ISOMÉTRICA

**APROXIMATE WEIGHT. 26 Kg.  
ELECTRICAL CONNECTION: 240II**

**The company reserves the right to make technical modifications without prior notice.**

[www.inhospaan.com](http://www.inhospaan.com)

**V1.0 - 2021/06/14**